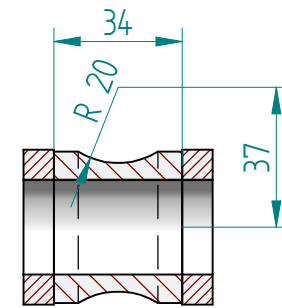
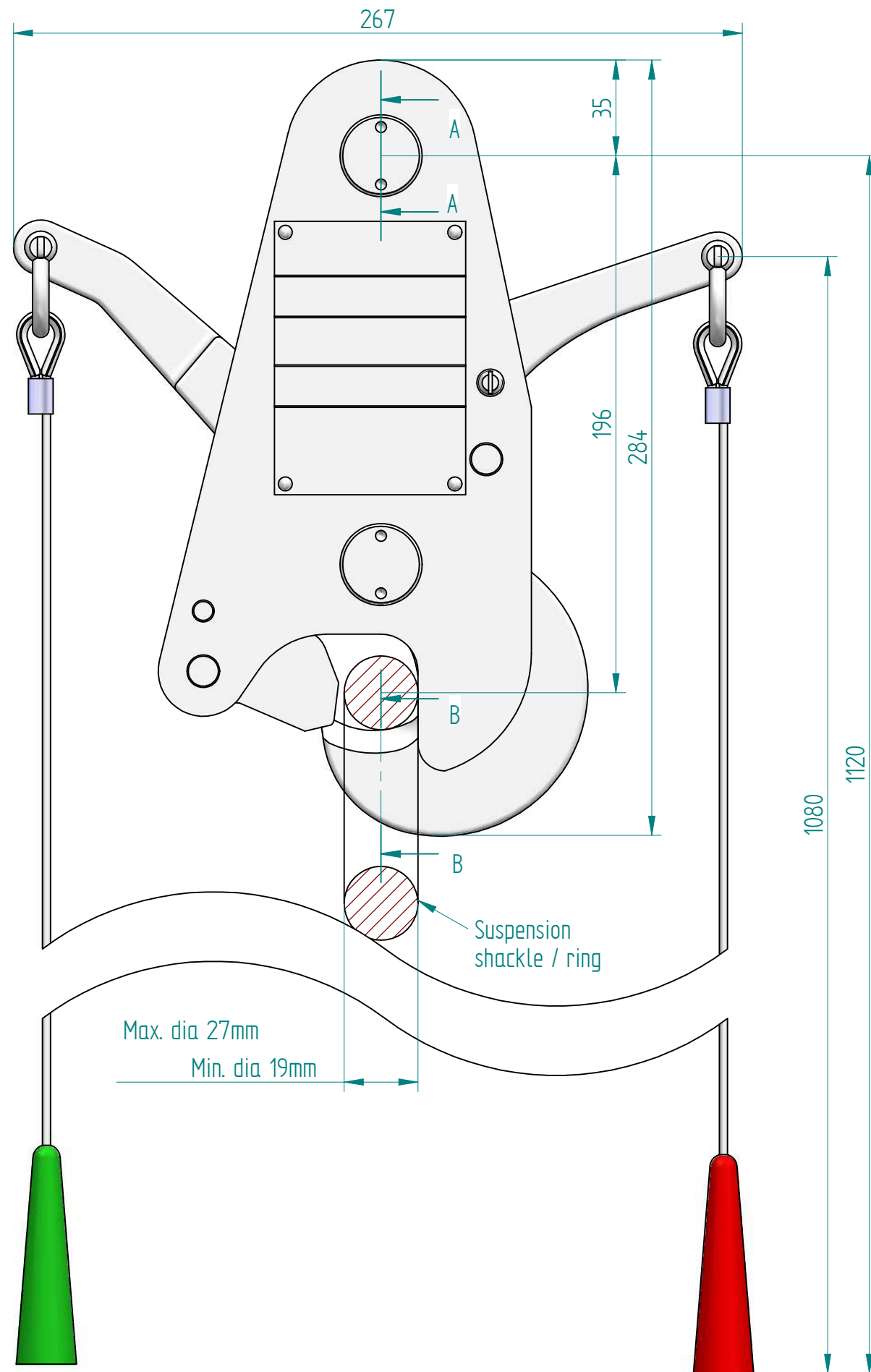
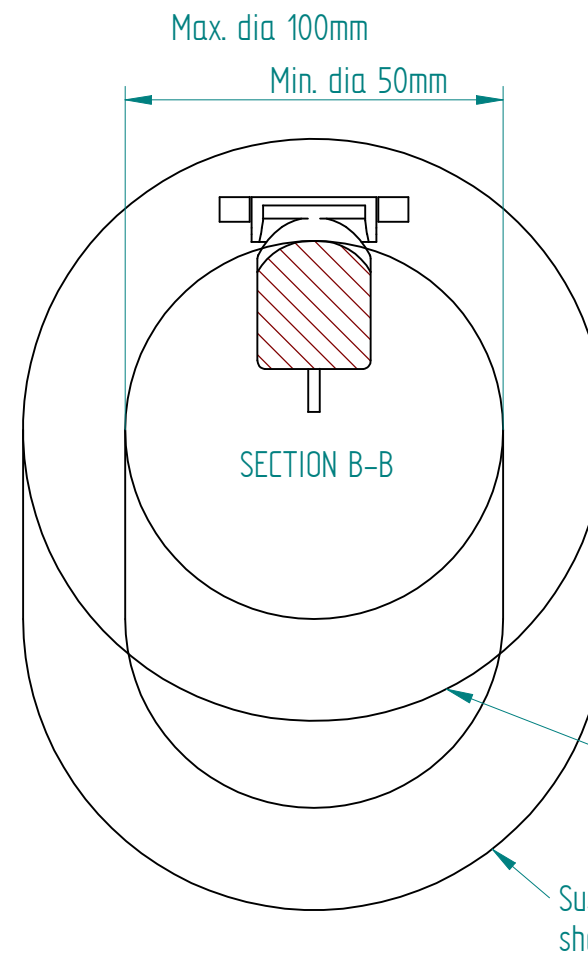


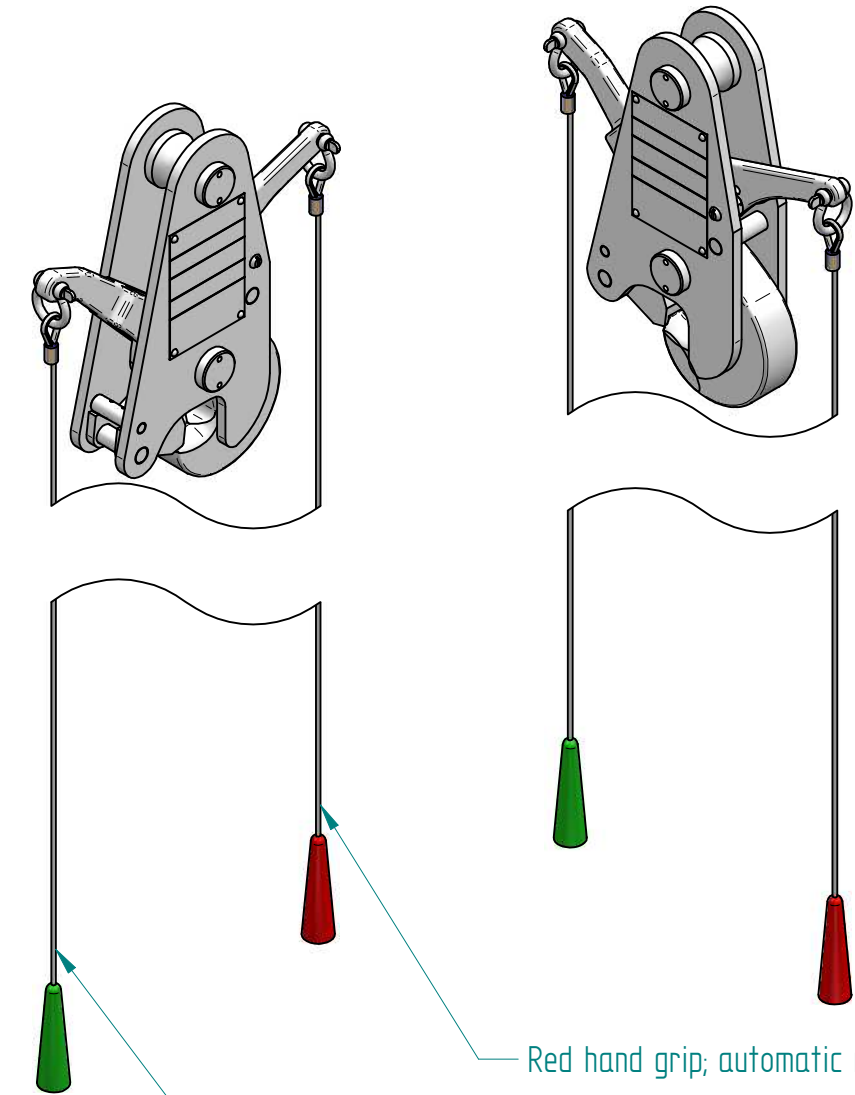
This drawing is for information only and must not be used for construction or fabrication, prior to final design.



SECTION A-A



SECTION B-B



Green hand grip; manual release.  
Red hand grip; automatic release.

Ned-Deck Marine reserves the right to change the product design, materials, and specifications without incurring obligations. Responsibility for the use and application of the product rests with the user.

Total mass approx.: 7,3 kg

Rev	Date	Description	Name	TITEL:
D				Arrangement combined automatic offload release hook CAR 35
C				
B	15.7.09	tripline->hand grip	AM	
A	8.5.08	hand grip->tripline	AM	



**NED-DECK MARINE**  
Survival Systems & Deck Equipment

Ambachtsweg 10  
3771 MG Barneveld  
Tel.: (31) 342-422105  
Fax: (31) 342-492717  
www.neddeckmarine.com

DRAWN.: AM

DATE: 30-08-08

APPROVED: RvB

SCALE: 1:2

DRAWING NUMBER: 3A-101667

SIZE: A3

REVISION: B

TOLERANCES: NEN-ISO 2768-1

PROJECTION: 

This drawing is the property of NED-DECK MARINE B.V. The Netherlands. It may not be copied or shown to any third parties.