

# FURUNO

Economical - Paperless

## NAVTEX RECEIVER

### Model NX-300

(Dual frequency version)

- ▶ Reliable, uninterrupted reception of Navtex messages
- ▶ Designed for voluntary carriage on recreational craft and small workboats
- ▶ No consumables or paper required
- ▶ Ultra clear 4.5" backlit silver bright LCD
- ▶ Compact, stylish display and antenna unit
- ▶ 28,000-character memory capacity for message storage
- ▶ Memory backup with a long life lithium battery
- ▶ Low power consumption
- ▶ NAV Data Display mode \*  
\* NAV sensor required
- ▶ Multi-language menu



The NX-300 receives NAVTEX (Navigational Telex) messages and verifies the ID of received messages. It features two narrowband receivers, one tuned to the 518 kHz international Navtex frequency and the other to the 490 kHz domestic or local country frequency. Selection is made by a Frequency Select switch on the front panel.

NAVTEX is a worldwide coastal English language telex broadcast system. The broadcast stations transmit Navigational Warnings, Meteorological Warnings, Search and Rescue (SAR) information and other data for ships sailing within their service range. The service range is 200-400 nautical miles depending on the terrain and station transmit power; messages are broadcasted every 4 hours. The Navtex service on 490 kHz is available in the UK, France, etc., using their own languages. The NX-300 features multi-language processing.

Every incoming message is identified and new messages are read on the high-contrast 4.5" silver

#### Nav Data

Auto	
29-JUN-01 02:25:48	
34° 42.098' N	
134° 30.745' E	
0SE 5°	SPD 10.0 kt

#### Message List

Auto	
IE49	HE11 NEW
HA64	NEW HA81 NEW
IA33	NEW IA58 NEW
HA16	NEW HA74 NEW
HA84	NEW VA09 NEW
VA10	NEW VA11 NEW
VA23	NEW VA28 NEW

bright LCD display; no paper is required. However, the message can be printed out via a PC interface. The broadcast station can be selected automatically according to own ship position when the NX-300 is connected with a GPS/DGPS navigator outputting position in NMEA 0183 format.

The NX-300 consists of a compact, waterproof display and an antenna unit. The waterproof display unit can be installed in the flybridge or at any convenient place on the vessel.

[www.furuno.com](http://www.furuno.com)

# SPECIFICATION OF NX-300

- 1. Product Name** NAVTEX RECEIVER
- 2. Receiver Frequencies** 518 and 490 kHz selectable on front panel key
- 3. Mode of Reception** F1B
- 4. Sensitivity** 2 µV e.m.f. (50 ohm), 4 % error rate
- 5. Message Category**  
 A: Navigational warning, B: Meteorological warning, C: Ice report, D: Search and rescue information/ piracy and armed robbery, E: Meteorological forecast, F: Pilot message, G: Decca message, H: Loran-C message, I: Omega message, J: Differential omega message, K: Other electronic navigational aid and system message, L: Navigational warning (additional), M to Y: Reserve - presently not used, Z: QRU (no message on hand)

- 1. Display** 4.5" (95 x 60 mm) Silver bright LCD, 120 x 64 pixels
- 2. Display Modes** Message Selection Mode, NAV Data Mode, Message Display Mode
- 3. Message Storage** 28,000 Characters
- 4. Languages** Menu in English, Spanish, German, French, Italian, Danish, Dutch, Portuguese

## ENVIRONMENT (IEC 60945 test method)

- Temperature**  
 Display Unit: -15°C to +55°C  
 Antenna Unit: -25°C to +70°C
- Waterproofing**  
 Display Unit: IPX5 (IEC 60529), CFR-46 (USCG)  
 Antenna Unit: IPX6 (IEC 60529)

## POWER SUPPLY

12 - 24 VDC, 1.7 W max

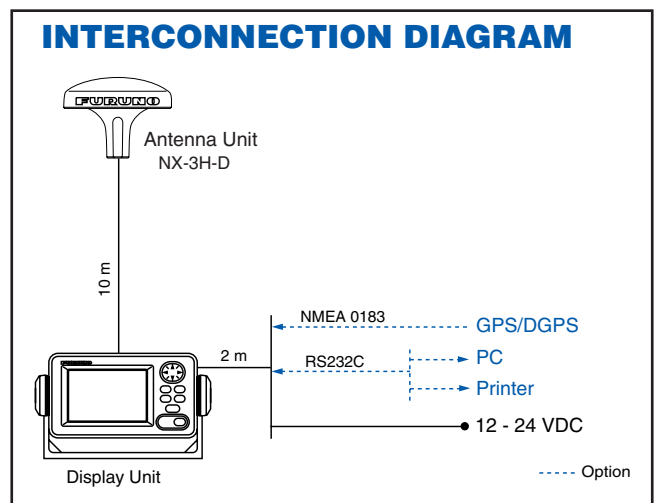
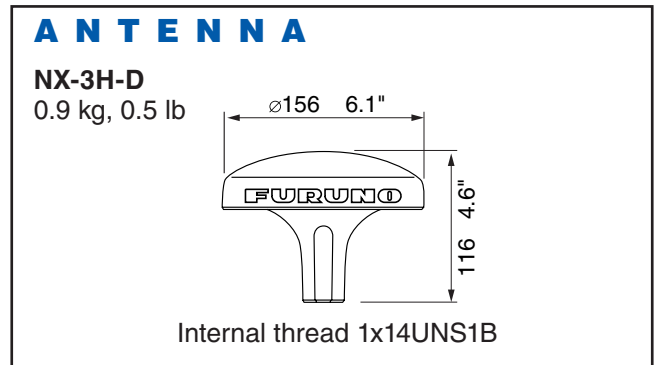
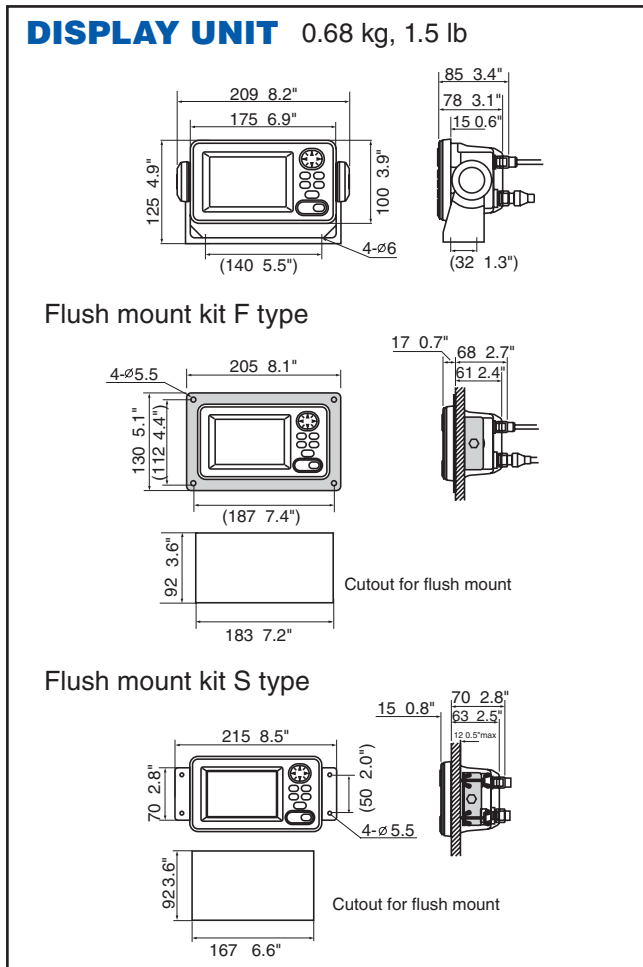
## EQUIPMENT LIST

### Standard

- 1. Display Unit NX-300-D 1 unit
- 2. Antenna Unit NX-3H-D with 10 m cable 1 unit
- 3. Installation Materials and spare parts 1 unit

### Option

- 1. Flush Mount Kit  
 OP20-29 (F type) or OP20-17 (S type)
- 2. Antenna Base  
 NO.13-QA330, NO.13QA310, NO.13-RC5160 or CP-20-01111



All brand and product names are registered trademarks, trademarks or service marks of their respective holders.  
 SPECIFICATIONS SUBJECT TO CHANGE WITHOUT NOTICE

**FURUNO ELECTRIC CO., LTD.**  
 Nishinomiya, Hyogo, Japan  
[www.furuno.com](http://www.furuno.com)

**FURUNO U.S.A., INC.**  
 Camas, Washington, U.S.A.  
[www.furunousa.com](http://www.furunousa.com)

**FURUNO (UK) LIMITED**  
 Havant, Hampshire, U.K.  
[www.furuno.co.uk](http://www.furuno.co.uk)

**FURUNO FRANCE S.A.S.**  
 Bordeaux-Mérignac, France  
[www.furuno.fr](http://www.furuno.fr)

**FURUNO ITALIA S.R.L.**  
 Gatteo Mare, Italy  
[www.furuno.it](http://www.furuno.it)

**FURUNO ESPAÑA S.A.**  
 Madrid, Spain  
[www.furuno.es](http://www.furuno.es)

**FURUNO DANMARK A/S**  
 Hvidovre, Denmark  
[www.furuno.dk](http://www.furuno.dk)

**FURUNO NORGE A/S**  
 Ålesund, Norway  
[www.furuno.no](http://www.furuno.no)

**FURUNO SVERIGE AB**  
 Västra Frölunda, Sweden  
[www.furuno.se](http://www.furuno.se)

**FURUNO FINLAND OY**  
 Espoo, Finland  
[www.furuno.fi](http://www.furuno.fi)

**FURUNO POLSKA Sp. Z o.o.**  
 Gdynia, Poland  
[www.furuno.pl](http://www.furuno.pl)

**FURUNO EURUS LLC**  
 St. Petersburg, Russian Federation  
[www.furuno.com.ru](http://www.furuno.com.ru)

**RICO (PTE) LTD**  
 Singapore  
[www.rico.com.sg](http://www.rico.com.sg)

**FURUNO DEUTSCHLAND GmbH**  
 Rellingen, Germany  
[www.furuno.de](http://www.furuno.de)

**FURUNO HELLAS S.A.**  
 Piraeus, Greece  
[www.furuno.gr](http://www.furuno.gr)

**FURUNO (CYPRUS) LTD**  
 Limassol, Cyprus  
[www.furuno.com.cy](http://www.furuno.com.cy)

**FURUNO SHANGHAI CO., LTD.**  
 Shanghai, China  
[www.furuno.com/cn](http://www.furuno.com/cn)