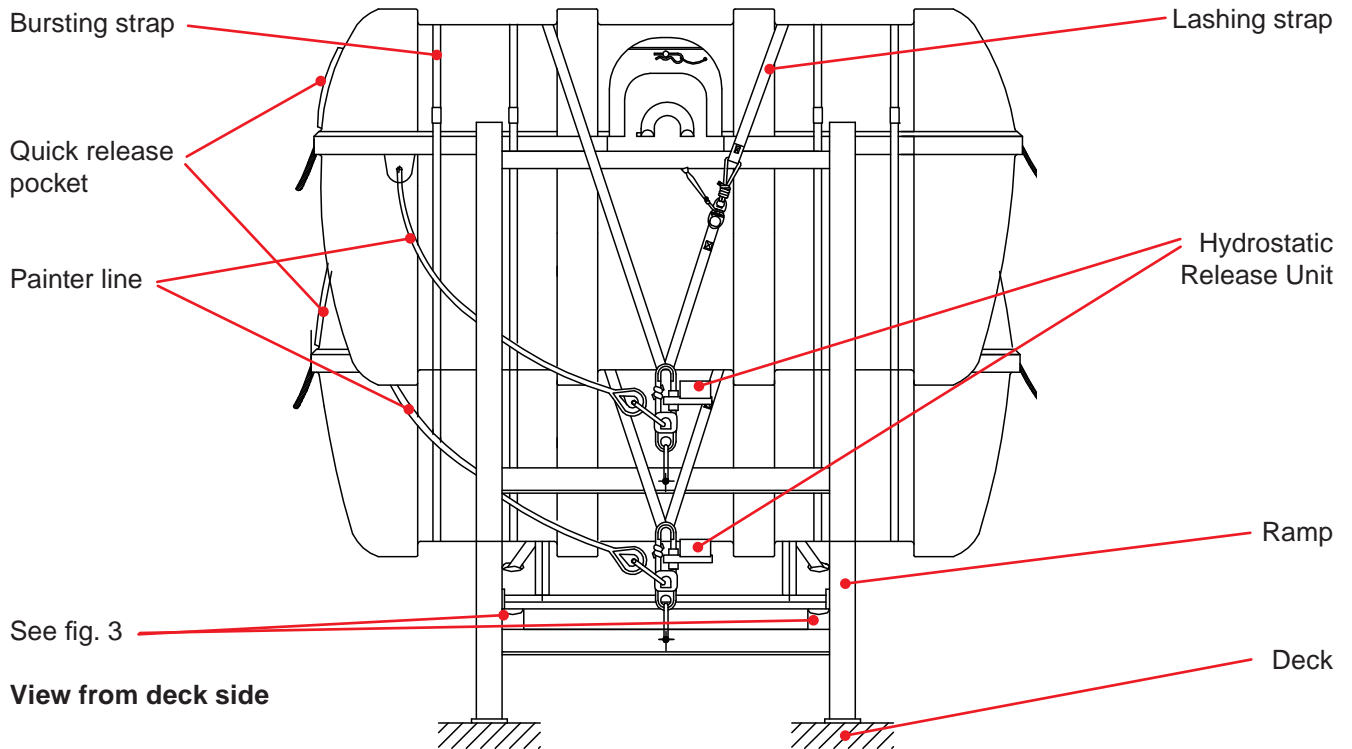


Mounting instruction for Viking ramp

V-MI- 0182



Fig. 1.

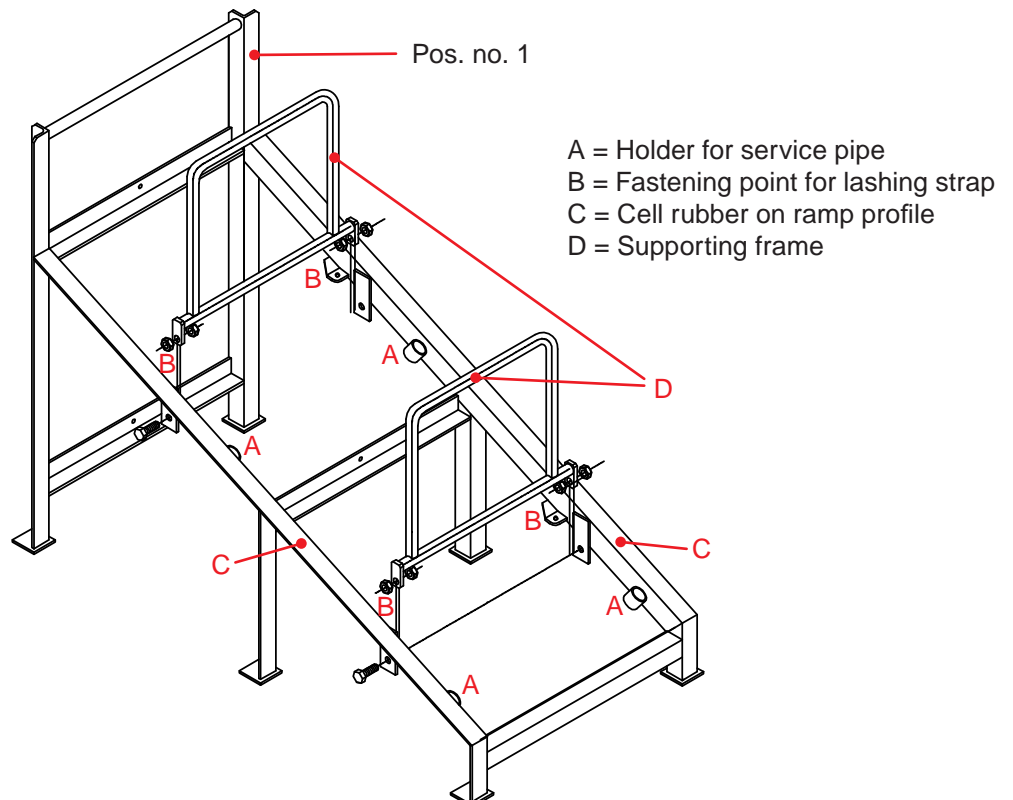


Mounting of Cell Rubber on Ramp:

Fig. 2.

Cut the cell rubber to length C. and fit the cell rubber to rack as illustrated. Start at top of rack at pos no. 1.

Mark: C
Qty.: 2
Length: 2000 mm



Mounting instruction for Viking ramp

V-MI- 0182



Installation instructions:

Install the rack on the deck by means of either bolting or welding.

General guidelines for installation:

Place the container so the raft's painter can be operated from deck side.

When positioning the container on the ramp, ensure that release of the liferaft is not impeded, i.e. there must be unimpeded access to the liferaft's painter.

1. Place the service pipes in the holders for service pipes
2. Shackle the lashing straps to the fastening points - fig. 3, leading the lashing underneath the supporting frame of the rack.
3. Place the container on the rack resting on the service pipes.
4. Attach the HRU (hydrostatic release unit) to the ramp, following instructions on the last page.
5. Lead the lashing strap over the top of the container so the supporting frame is pressed against the container. Connect the lashing to the HRU following instructions on the last page.

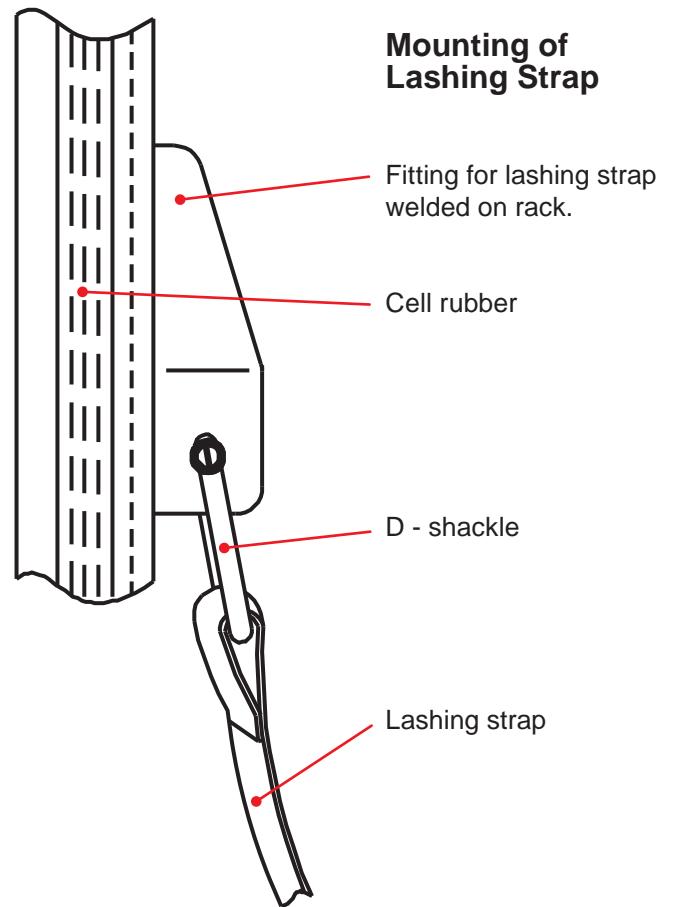
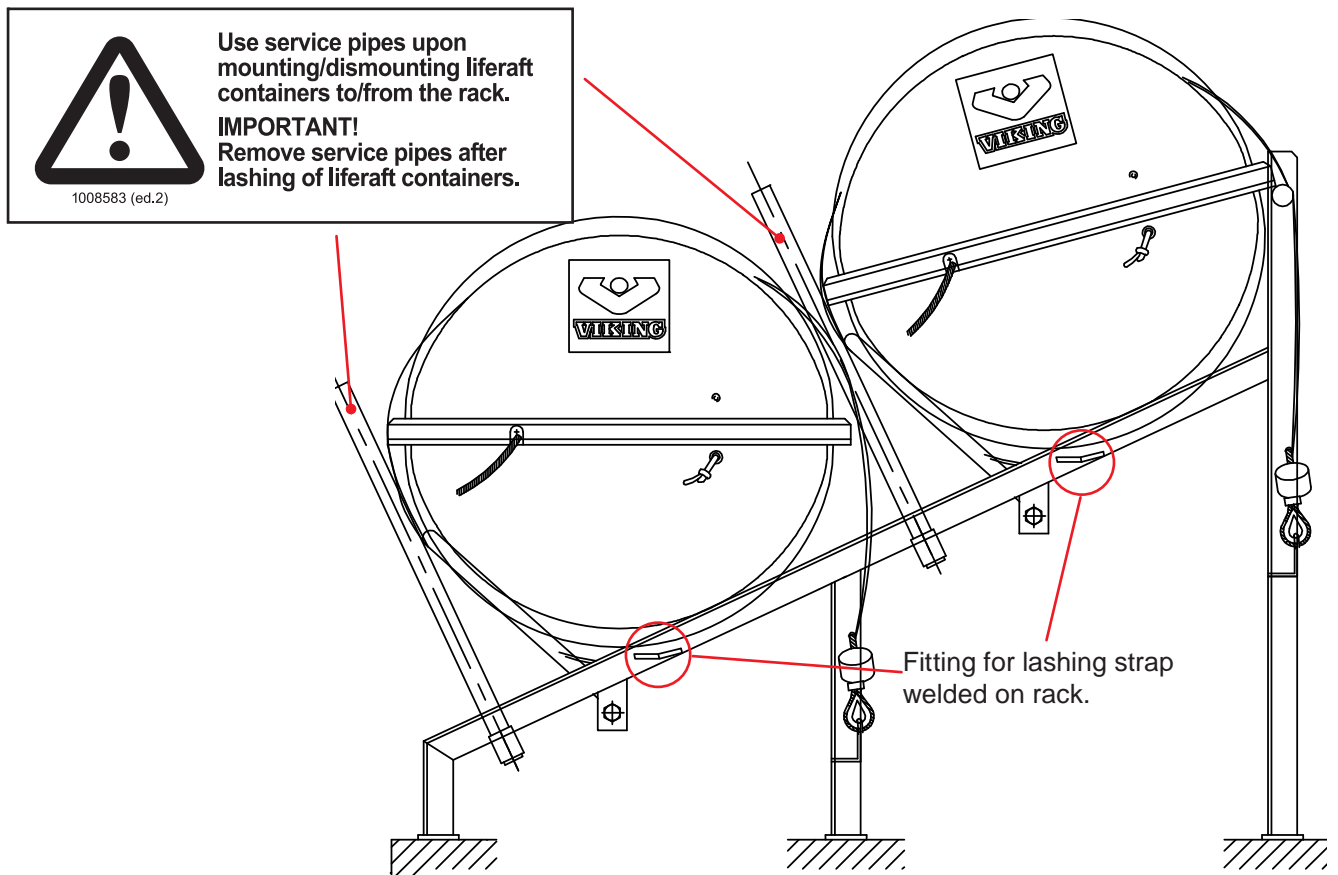


Fig. 3.



Mounting instruction for Viking ramp

V-MI- 0182



Mounting Instructions for HRU (Hydrostatic Release Unit) type Hammar.

